

RIGHT NOW

MOBILITY

Designed for curved staircases,
stairs with intermediate landings
or where out-of-the-way
parking is desired

Durable, reliable and easy to use

Battery operated with built-in charging
stations so the chair is always ready to
go even during a power failure

Savaria® Stairfriend Stairlift

FOR CURVED STAIRCASES

Many people dread the thought of moving just to avoid climbing stairs. After all, this is the home you've enjoyed for many years with family and friends. The Savaria Stairfriend can give you the freedom to stay in your home and enjoy it without the worry of navigating stairs. Ride in comfort around curves, landings or changes in direction with the Stairfriend, specifically designed for your home.

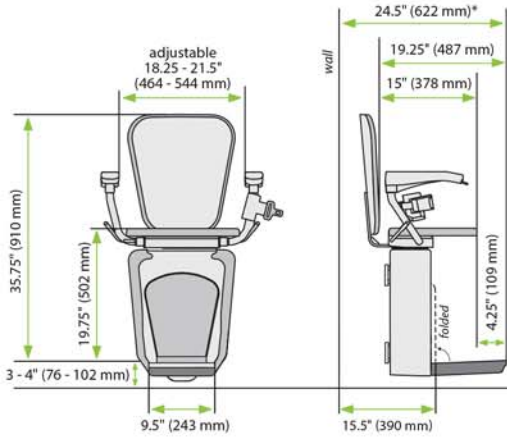
Installing the Savaria Stairfriend usually involves only two visits to your home. The first visit includes a precision measuring session to ensure a perfect fit for your stairs and the installation is easily completed on the second visit. Move up, not out with Stairfriend, from industry leader Savaria.

 savaria.

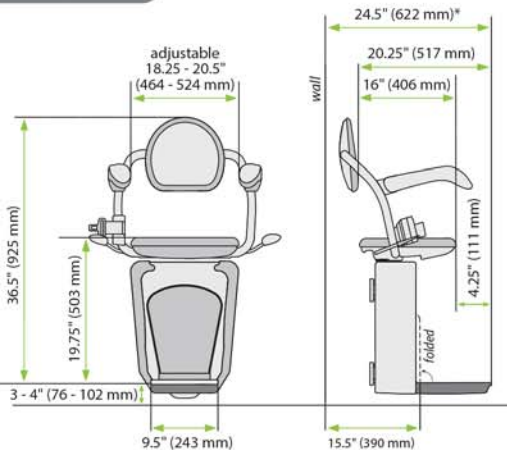
Savaria® Stairfriend Stairlift

FOR CURVED STAIRCASES

SEAT L



SEAT V



*at level landing

SPECIFICATIONS

Applications	Residential, commercial*, indoor, curved stairs
Capacity	350 lbs/160 kg
Nominal Speed	20 ft/min (0.1 m/s), 12 ft/min (0.06 m/s) through curves
Drive	Rack and pinion
Motor	½ hp, 24V (DC) power that charges on standard household power
Fold-up width	14 ½", 37 cm
Fold-out width	25 ½", 64.5 cm
Range of incline	0° to 52°
Warranty	36 months parts, ask dealer for details

*commercial use varies by region, consult your authorized Savaria dealer for details

about savaria



In business for over 30 years, Savaria designs, engineers and manufactures products to help people gain personal mobility. We produce elevators – from basic to luxurious – for homes and select commercial applications. We also make a complete range of accessibility lifts for residential use and demanding commercial environments.

All of our products are made with the goal of helping people move – whether it's to improve mobility issues or to simply make life easier. Authorized Savaria dealers are carefully selected for their knowledge and experience, kept up-to-date with the latest technical and training sessions, and supported with our expert customer service.

RIGHT NOW
MOBILITY
888-381-5820

savaria.

www.savaria.com

2 Walker Drive, Brampton, ON L6T 5E1 Canada

tel: 800.661.5112 fax: 905.791.2222